

2000 t

KEROSENE SERIES | Air Heater

 wallas®



Double inlet pipes ensure ample fresh airflow in cabin

Exhaust gas is safely expelled outside keeping the indoor air clean and odorless

Fully enclosed laminar burning process ensures a quiet sound level and dries the indoor air



Extremely low power consumption

Durable Finnish design and manufacturing keep your heater running through tough weather conditions

Reliable choice even for icy cold conditions



Ensure everyone's safety with a heater that has low temperature on unit and exhaust pipe

Have better comfort control with an easy-to-use thermostatic control panel

Enjoy your conversations with a quiet heater

2000 t

KEROSENE SERIES | Air Heater



SPECIFICATIONS

Fuel:	Kerosene/paraffin
Power:	900-2000 W (3,000-6,800 BTU)
Operating voltage:	12 V
Fuel consumption:	0,10-0,20 l/h (4.4-6.8 oz/hr)
Electricity consumption:	0.4-0.7 A
Air volume at min heat:	43 m ³ /h (27 cfm)
Air volume at max heat:	62 m ³ /h (36 cfm)

RECOMMENDED BUILDS

Boats:	5-7 m (16-22 ft)
Trailers:	5-7 m (16-22 ft)

MATERIALS

Stainless steel, high-grade aluminum, other corrosion-resistant materials

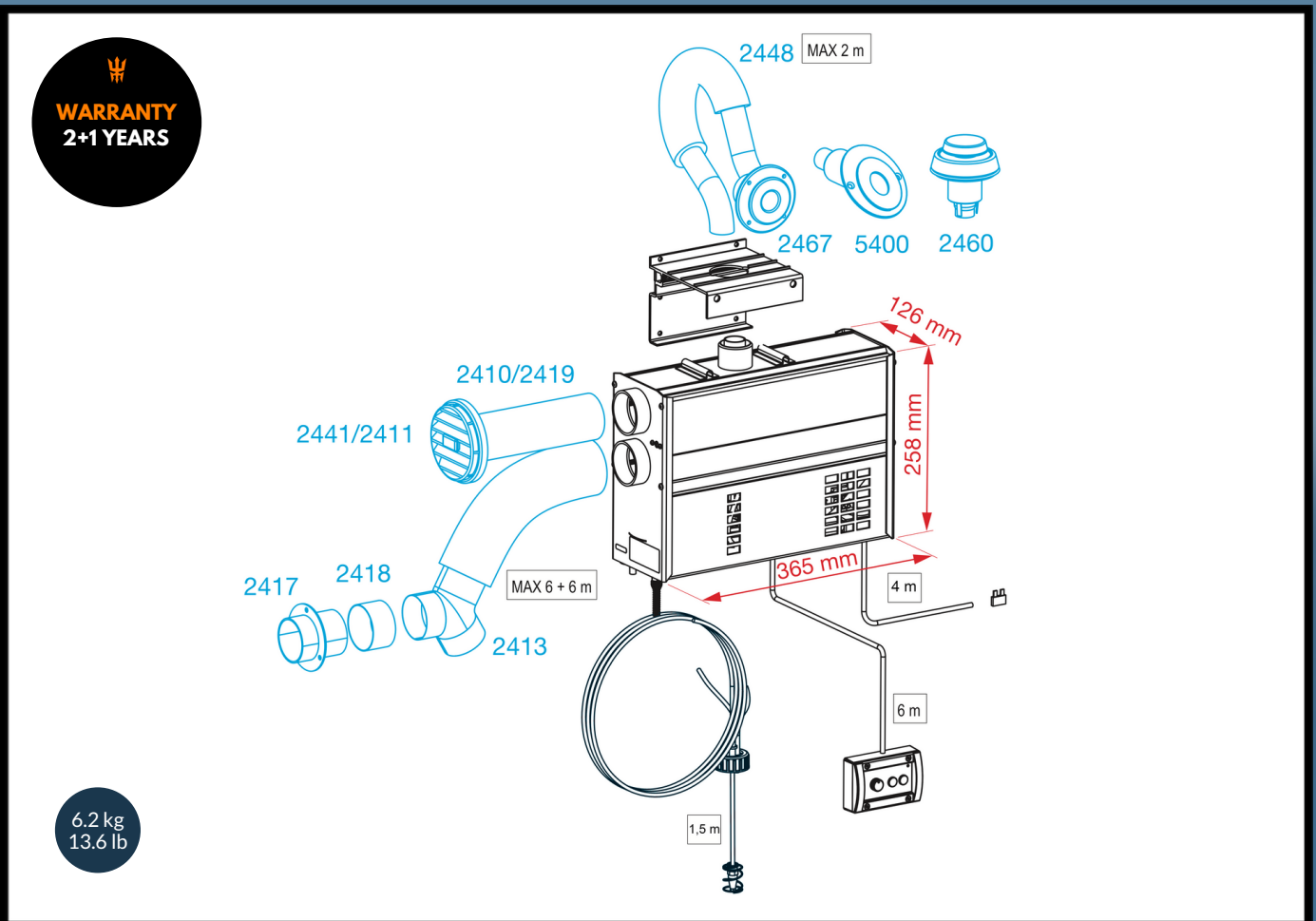
PI THERMO CONTROL PANEL

Use heater in PI Thermo Mode to hold a target temperature

Switch to Manual Mode and control heating power with knob from half power to full power

Blow fresh air without heating in the Ventilation Mode

Double the air volume quickly with Air Boost when defrosting or drying is needed



Accessories in black come with the standard package. Accessories in blue are additional. The calculated values are measured in a reference measurement wall, which is constructed to respond to a typical boat installation. The technical values have been measured with the maximum length of ducting, exhaust pipe, fuel line, and power cord. The figures allow for 10% reserve - yours may vary.

All rights reserved. Wallas-Marin reserves the right to change or improve its products and to make changes in the content of this product material without obligation to notify any person or organization of such changes or improvements. Go to www.wallas.com for current updates and supplemental information concerning this product.



www.wallas.com